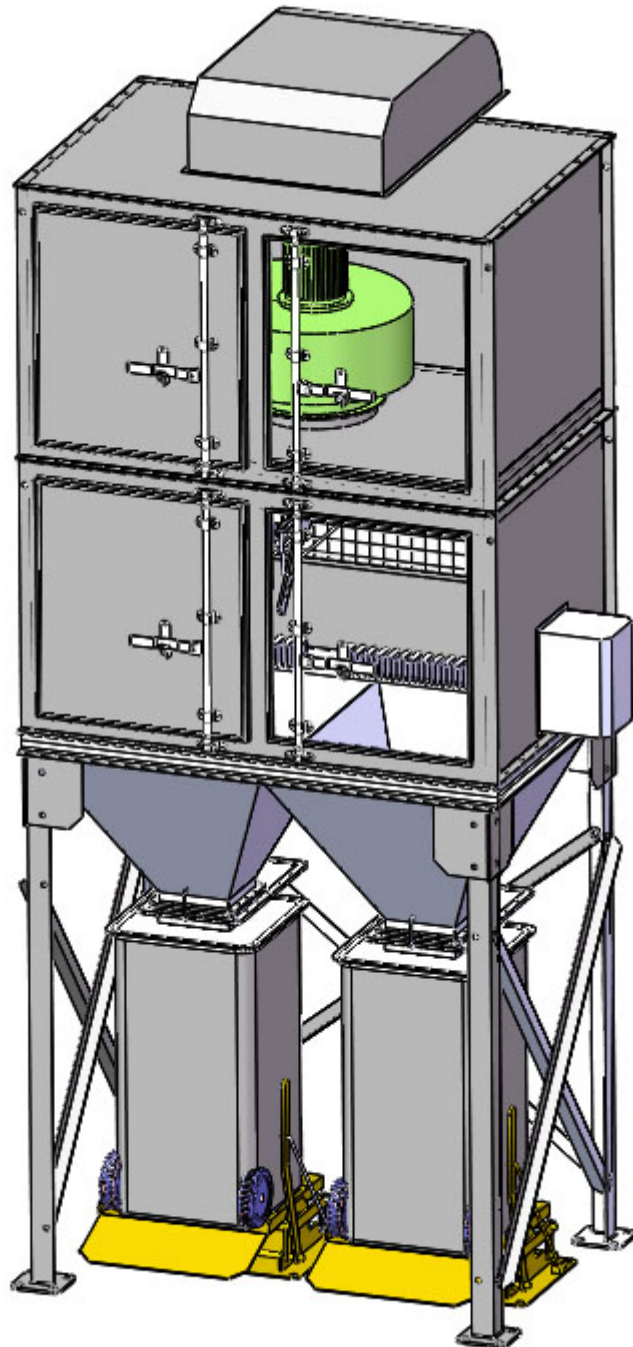




Suzhou Glorair Purifying Equipment Co., Ltd.

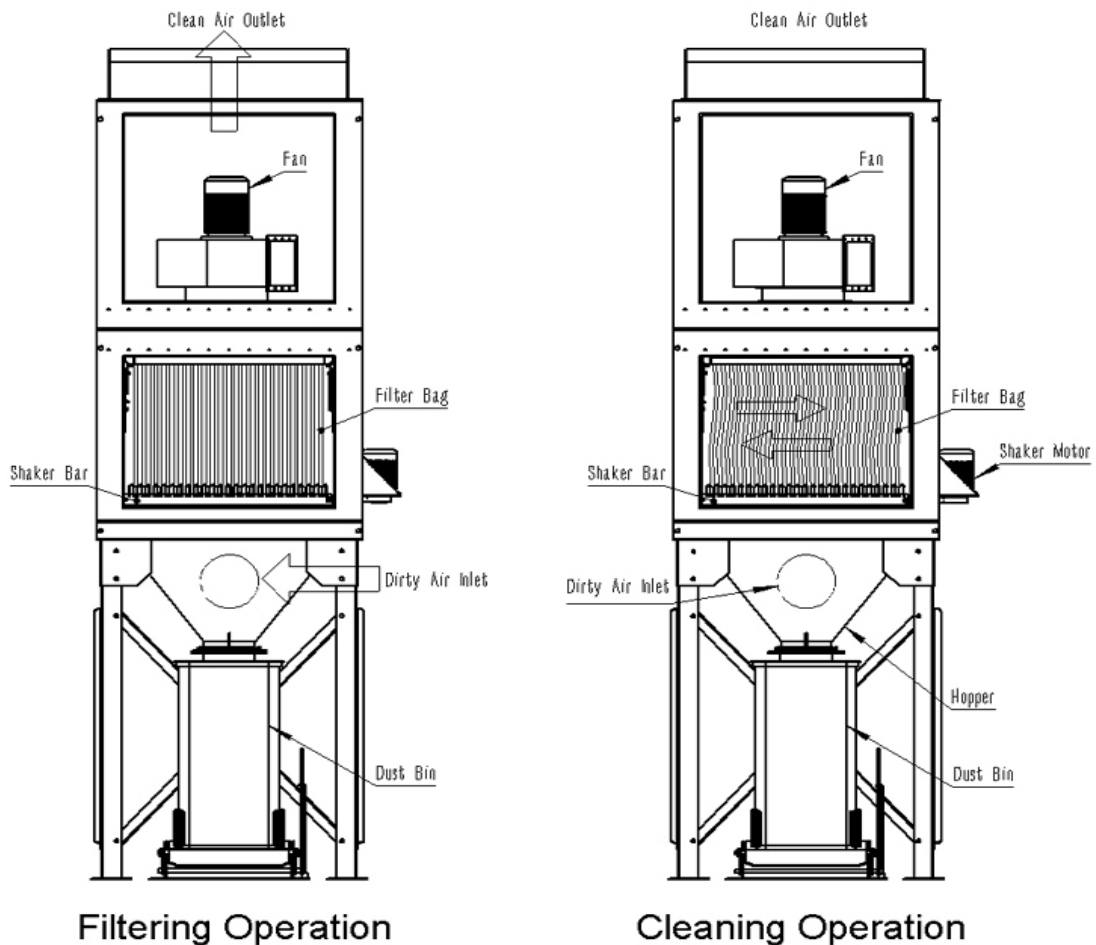
Nanling Industrial Park, Luyuan, Zhangjiagang, Jiangsu, China
T: +86 512 58536632 F: +86 512 58536639 www.Glorair.com

Shaker Bag Dust Collector



Shaker Bag Dust Collector

Unit Descriptions & Operation Explanation



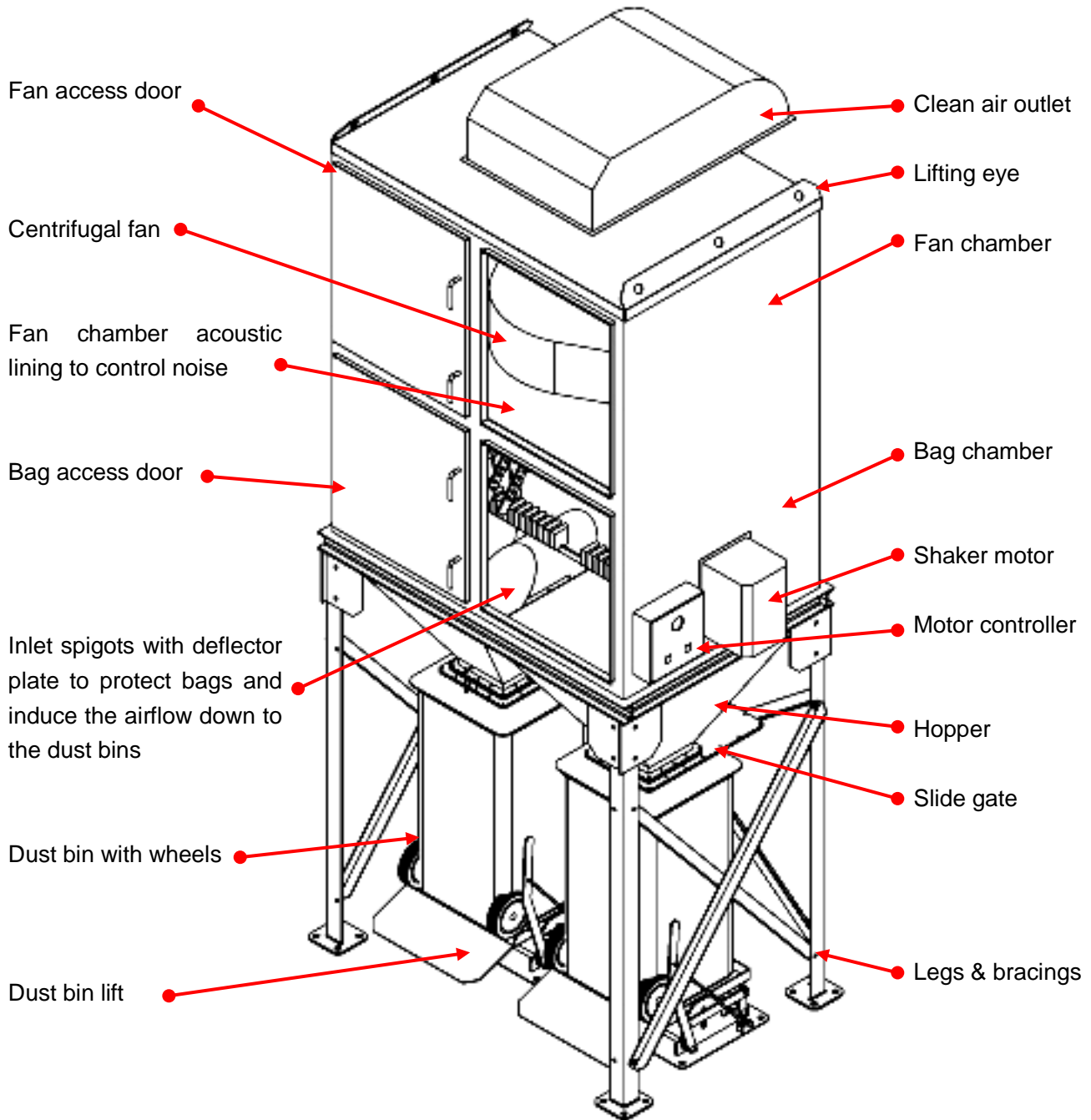
Shaker bag dust collector is integral dust collector equipment with built-in fan and shaker cleaning motor. With humanized design and low cost, the dust collectors have been offering best filtering performance and become the world widely used reliable dust collection equipments. Thanks to the compact structure, very quiet operation and no need for compressed air, the shaker dust collector has become the ideal choice for intermittent dust collections.

During the filtering operation, the dust-laden air enters the dust collector through the dirty air inlet. The velocity is reduced and natural pre-separation, caused by the effects of gravity, takes place and heavier particulate falls directly into the collection bin or hopper. Fine particles are collected on the outside surface of the filter bags. Clean and filtered air passes to the center of the bags and discharge through the clean air outlet

Our shaker bag collectors are intermittent-duty collectors, which mean that cleaning starts when the fan is turned OFF and the appropriate fan run-down time is complete. The timer automatically starts the cleaning sequence 3 minutes after the fan is turned OFF. This is the fan run-down time. Power to controls must remain ON to operate the cleaning mechanism. The shaker motor starts and filter cleaning begins for a preset time of 3 minutes.

Shaker Bag Dust Collector

Dust Collector Components



Shaker Bag Dust Collector

Features

- Automatic mechanical shaker cleaning, no need for expensive compressed air
- Years of reliable performance, failure-free operation
- Very simple and easy to install and change the bags
- Built-in extraction fan and shaker motor, quiet and efficient operation
- Compact body can save expensive factory space
- Optional acoustic liner in the fan chamber, control noise down to 72dB
- Special designed dust bin lift makes dust bin change very easy
- Not only suitable for industries, but also suitable for school, R/D institutes

Applications

Application:

- Chemical, Pharmaceutical, Food, Woodworking, Saw dust, Cement
- Abrasive blasting, Metal working, Mixing, Grinding, Plastic, Loose powder

Models & Specifications

Model	Filter Bag	Filter Area	Airflow	Inlet Spigot	Dust Bin
Z10	1 PC	10 M2	1800 CMH	Dia:200mm	1
Z20	1 PC	20 M2	3600 CMH	Dia:250mm	1
Z30	1 PC	30 M2	5400 CMH	Dia:300mm	1
Z40	1 PC	40 M2	7200 CMH	Dia:350mm	1
Z50	2 PCS	50 M2	9000 CMH	Dia:400mm	1
Z60	2 PCS	60 M2	10800 CMH	Dia:450mm	1
Z70	2 PCS	70 M2	12600 CMH	Dia:500mm	1
Z80	2 PCS	80 M2	14400 CMH	Dia:350mm*2	2
Z90	2 PCS	90 M2	16200 CMH	Dia:350mm*2	2
Z100	2 PCS	100 M2	18000 CMH	Dia:400mm*2	2
Z110	2 PCS	110 M2	19800 CMH	Dia:400mm*2	2
Z120	3 PCS	120 M2	21600 CMH	Dia:350mm*3	3
Z130	3 PCS	130 M2	23400 CMH	Dia:350mm*3	3

* Airflow for typical working conditions; Pls contact us for more technical information.

Shaker Bag Dust Collector

Standard Components

- Bag filter chamber
- Bag access door
- Envelop type bags
- Bag insert coils
- Bag locking structure
- Centrifugal fan
- Fan chamber
- Fan access door
- Shaker motor
- Legs & bracings
- Hopper
- Slide gate
- Dust bin
- Inlet & outlet spigot
- Prime and surface painting
- Necessary fastening parts

Optional Components

- Fan chamber acoustics lining
- Fan control cabinet
- Shaker motor controller
- Other material/finish bags
- Separate fan chamber
- Differential pressure gauge
- Pre separation chamber
- Explosion vent
- Dust bin lift
- Epoxy painting